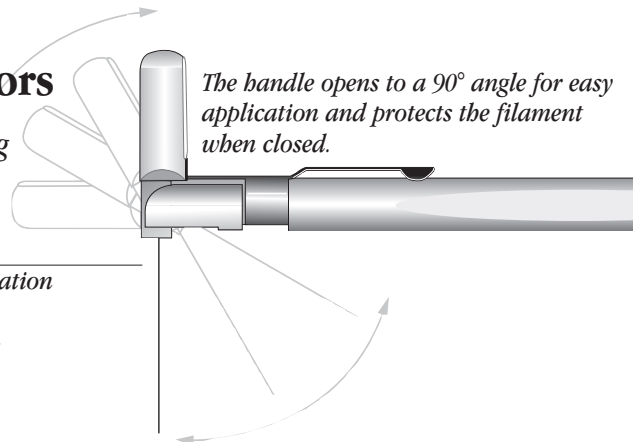


Touch-Test™ Sensory Evaluators

Evaluate both diminishing and returning sensation.



The handle opens to a 90° angle for easy application and protects the filament when closed.

TOUCH-TEST™ SENSORY EVALUATORS (SEMME-WEINSTEIN MONOFILAMENTS)

These portable sensory evaluators are calibrated to within a 5% standard deviation of each target force.

- Use these evaluators to test sensory levels and obtain objective data for accurate reporting on the status of diminishing or returning sensibility.
- Touch-Test™ Sensory Evaluators are individually calibrated within a 5% standard deviation of a predetermined level of force. The filament bends when peak force threshold is reached.
- The unique handle easily opens to a 90° angle for testing. When closed, the Sensory Evaluator can be carried safely in a pocket or carrying case, protecting the filament when not in use.
- Finger indentations on the handle provide a firm, comfortable hold.
- The Sensory Evaluator handles are marked with the corresponding color-coded pressure level.
- Evaluation results can be recorded on the Hand or Foot Screening Forms (NC12750-1 and NC12749). Thresholds include normal sensation, diminished light touch, diminished protective sensation, loss of protective sensation and deep pressure sensation only.
- Available in a 5 Piece Hand Kit, a 6 Piece Foot Kit and a 20 Piece Full Kit. Hand and Foot Kits also are available as complete kits that include screening forms and colored pencils.
- Each kit comes in a protective case. Instructions are included.
- Individual replacement Sensory Evaluators are sold separately, including 5.07, which indicates loss of protective sensation.
- Patent pending.
- A free informational video featuring the Touch-Test™ Sensory Evaluators is available at www.ncmedical.com

Each Touch-Test™ Sensory Evaluator

5 Piece Hand Kit

- 2.83, 3.61, 4.31, 4.56 and 6.65
 - Protective case
- NC12772

Complete Hand Kit

- 2.83, 3.61, 4.31, 4.56 and 6.65
 - Hand Screening Forms
 - Colored Pencil Set
 - Protective case
- NC12771

6 Piece Foot Kit

- 2.83, 3.61, 4.31, 4.56, 5.07 and 6.65
 - Protective case
- NC12773

Complete Foot Kit

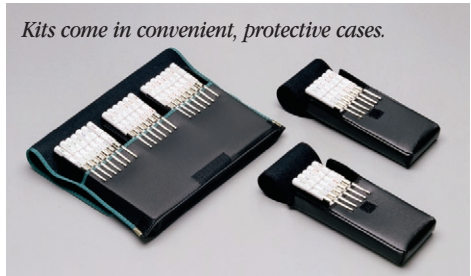
- 2.83, 3.61, 4.31, 4.56, 5.07 and 6.65
 - Foot Screening Forms
 - Colored Pencil Set
 - Protective case
- NC12774

20 Piece Full Kit

- All 20 sizes
 - Protective case
- NC12775-99

Colored Pencil Set

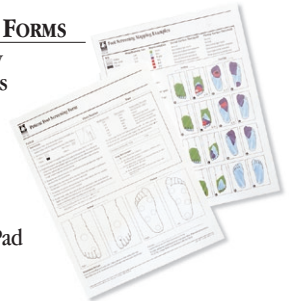
- One pencil each of green, blue, purple, red and black.
- NC12756



Kits come in convenient, protective cases.

FOOT SCREENING FORMS

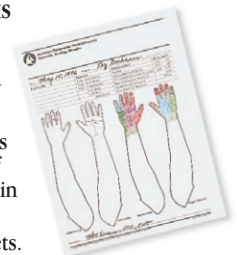
- Use to accurately record the results of a sensory evaluation.
- Includes one color mapping sample sheet.
- Foot Screening Pad has 100 forms.



NC12749

HAND SCREENING FORMS

- Use to accurately record the results of a Touch-Test™ sensory evaluation.
- Record physical findings by coloring the areas of different sensory levels in the hand illustrations.
- Each pad has 100 sheets.



NC12750-1

Please log-in or register for professional pricing at www.ncmedical.com.

Product Number	Evaluator Size	Target Force* in grams	Representation	Hand & Dorsal Foot Thresholds	Plantar Thresholds	
NC12775-01	1.65	0.008	Green	Normal	Normal	
NC12775-02	2.36	0.02				
NC12775-03	2.44	0.04				
NC12775-04	2.83	0.07				
NC12775-05	3.22	0.16	Blue	Diminished Light Touch	Normal	
NC12775-06	3.61	0.4				
NC12775-07	3.84	0.6	Purple	Diminished Protective Sensation	Diminished Light Touch	
NC12775-08	4.08	1				
NC12775-09	4.17	1.4				
NC12775-10	4.31	2	Red	Loss of Protective Sensation	Diminished Protective Sensation	
NC12775-11	4.56	4				
NC12775-12	4.74	6				
NC12775-13	4.93	8				
NC12775-14	5.07	10				
NC12775-15	5.18	15			Loss of Protective Sensation	Loss of Protective Sensation
NC12775-16	5.46	26				
NC12775-17	5.88	60				
NC12775-18	6.10	100				
NC12775-19	6.45	180				
NC12775-20	6.65	300		Deep Pressure Sensation Only	Deep Pressure Sensation Only	



North Coast Medical, Inc.
8100 Camino Arroyo • Gilroy, CA 95020
Local/Int'l: 408-776-5000 • Toll-Free: 800-821-9319
Toll-Free Fax: 877-213-9300 • www.ncmedical.com